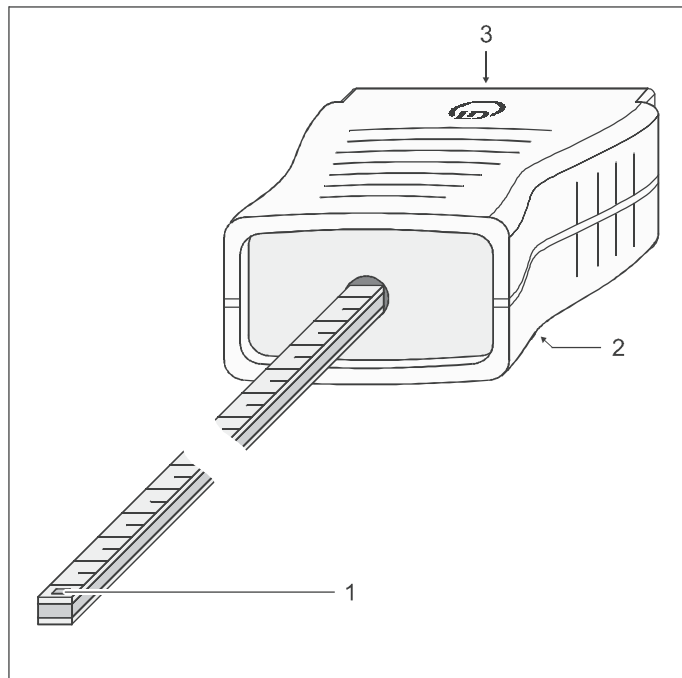


06/05-W97-Sel



Instruction sheet 524 0382

Axial B-sensor S (524 0382)

- 1 Axial probe
- 2 M6 thread
- 3 Plug

1 Description

The axial B-sensor S is used as a sensor in conjunction with the CASSY® computer-assisted measurement system for measuring the magnetic field component in the axial direction with respect to the axis of the sensor.

Experiment examples are found on the CD of the CASSY Lab software (524 200) or in the download version of the software under <http://www.ld-didactic.com> or in the manual of the CASSY Lab software (524 201).

2 Measurement quantities

Meas. quantity	CASSY Lab ^{/1/} (524 200)	CASSY-Display ^{/2/} (524 020)	Mobile-CASSY (524 009)	Ranges
Magnetic flux density (axial)	B	✓	B	±10 mT, ±100 mT, ±1000 mT

^{/1/} for Sensor-CASSY (524 010), Pocket-CASSY (524 006) or Mobile-CASSY (524 009) on a PC

^{/2/} in conjunction with Sensor-CASSY (524 010)

3 Use

3.1 Putting the sensor into operation:

- Plug the axial B-sensor into a CASSY module (if necessary, use an extension cable).

3.2 Compensation




CASSY Lab:

- Click on the “→ 0 ←” button in the dialog window “Sensor Input Settings”.

CASSY-Display:

- Press the OFFSET key twice.

Mobile-CASSY:

- Open the Properties menu with the left  key.
- Select the menu item “Correct Offset” with the  key, and press the right  key.

3.3 Carrying out a measurement

- Hold the sensor in the desired position.
- Read the measured value.

4 Scope of delivery

- 1 axial B-sensor
- 1 stand rod with thread

5 Accessories

- 1 extension cable, 15 pole

6 Compatibility

The axial B-sensor S can be used in conjunction with the following CASSY modules:

	Sensor-CASSY (524 010)	Pocket-CASSY (524 006)	Mobile-CASSY (524 009)
with PC	CASSY Lab software 1.43 or higher version		
with- out PC	CASSY-Display firmware 1.20 or higher version	—	Firmware 1.14 or higher version

As a member of the CASSY family this sensor has the following features:

- The sensor can be plugged in at any time.
- The connected sensor is recognized automatically.
- Measurement quantities and measuring ranges are set using the menu-driven software.

7 Updates

If the software or firmware used is older than that given above, an update of the software or firmware is required. The current version of the CASSY Lab software is available on the internet under <http://www.ld-didactic.com>.

- Install the current version of the CASSY Lab software and start it.
- Connect all available CASSY modules to the PC one after another.
- As soon as you are prompted, bring the firmware up to date with "Update CASSY Modules" so that it matches with CASSY Lab.

® CASSY is a registered trademark of LD Didactic GmbH